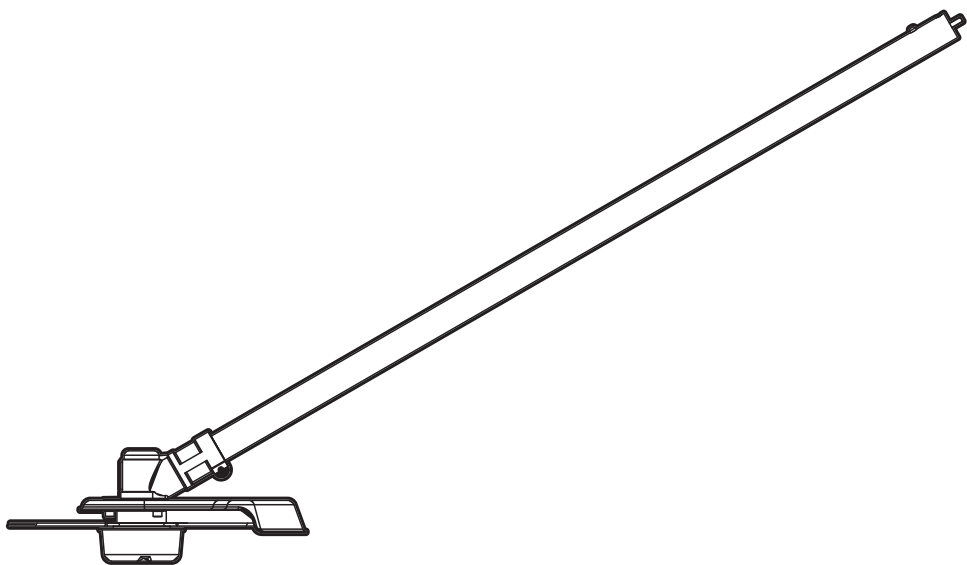


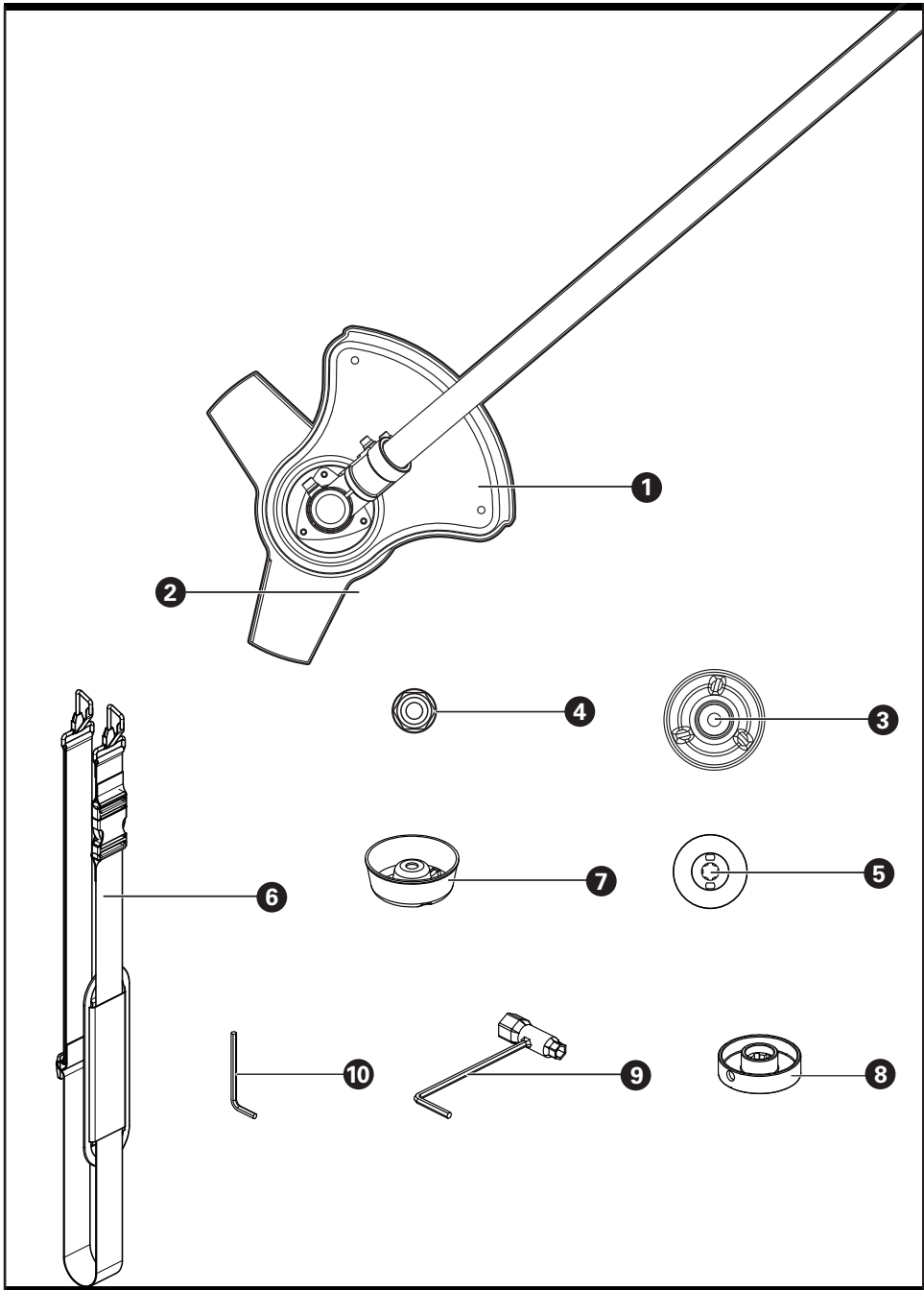
# WORX®

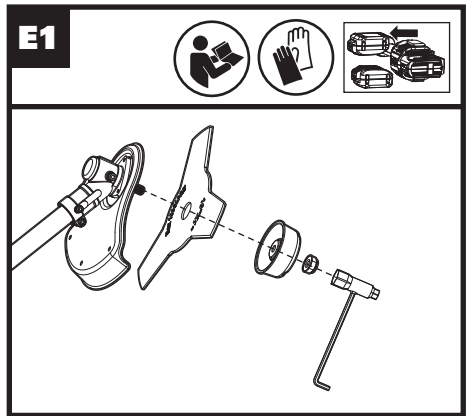
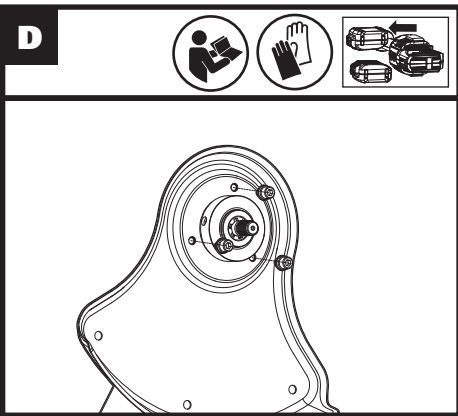
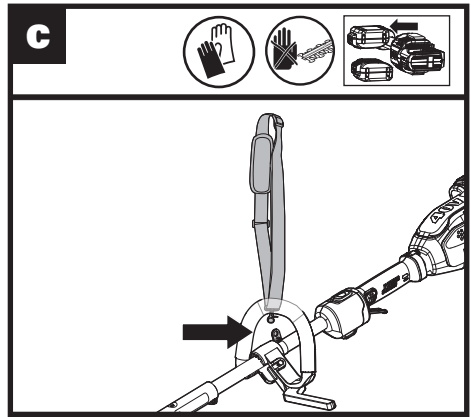
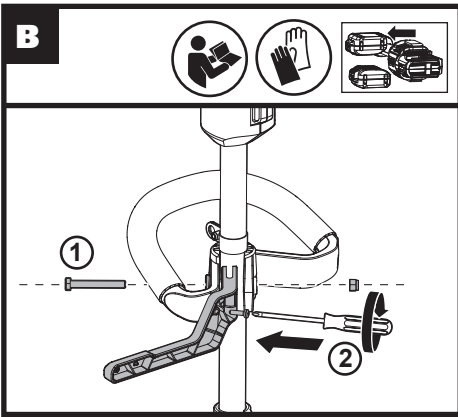
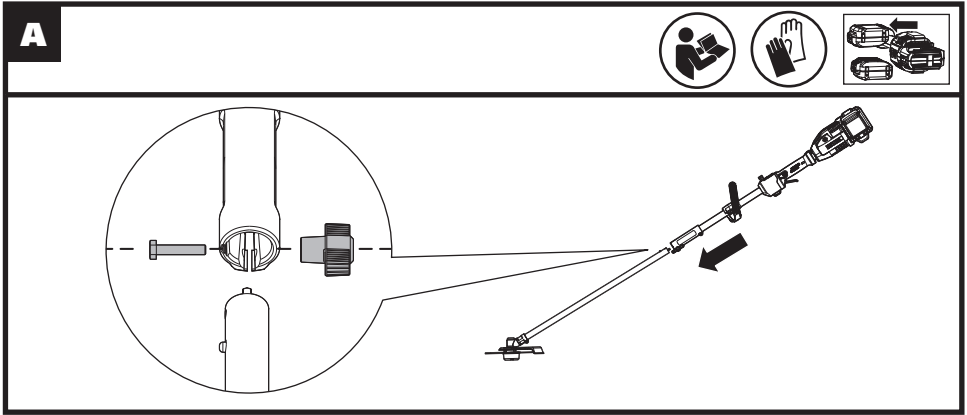


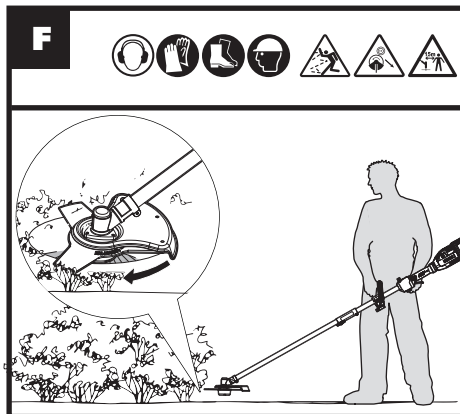
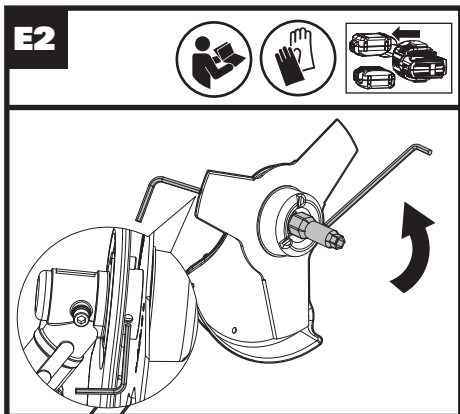
<b>Brush Cutter Attachment</b>	<b>EN</b>	<b>P06</b>
<b>Accessoire pour débroussailleuse</b>	<b>F</b>	<b>P10</b>
<b>Fijación de la desbrozadora</b>	<b>ES</b>	<b>P12</b>

## WA022 I









## PRODUCT SAFETY



**WARNING:** This product can expose you to chemicals including lead and Di(2-ethylhexyl)phthalate (DEHP) which are known to the State of California to cause cancer and birth defects or other reproductive harm. For more information go to [www.P65Warnings.ca.gov](http://www.P65Warnings.ca.gov).

### Important Safety Instructions



**WARNING:** Read all safety warnings and instructions. Failure to follow the warnings and instructions may result in electric shock, fire and/or serious injury.

### FOR ALL APPLIANCES:

- 1) Avoid Dangerous Environment - Don't use appliances in damp or wet locations.
- 2) Don't Use In Rain.
- 3) Keep Children Away - All visitors should be kept at a distance from work area.
- 4) Dress Properly - Do not wear loose clothing or jewelry. They can be caught in moving parts. Use of rubber gloves and substantial footwear is recommended when working outdoors. Wear protective hair covering to contain long hair.
- 5) Use Safety Glasses - Always use face or dust mask if operation is dusty.
- 6) Use Right Appliance - Do not use appliance for any job except that for which it is intended.
- 7) Don't grasp the exposed cutting blades or cutting edges when picking up or holding the appliance.
- 8) Don't Force Appliance - It will do the job better and with less likelihood of a risk of injury at the rate for which it was designed.
- 9) Don't Overreach - Keep proper footing and balance at all times.
- 10) Stay Alert - Watch what you are doing. Use common sense. Do not operate appliance when you are tired.
- 11) Store Idle Appliances Indoors - When not in use, appliances should be stored indoors in dry, and high or locked-up place - out of reach of children.
- 12) Maintain Appliance With Care - Keep cutting edge sharp and clean for best performance and to reduce the risk of injury. Follow instructions for lubricating and changing accessories. Keep handles dry, clean, and free from oil and grease.
- 13) Check Damaged Parts - Before further use of the appliance, a guard or other part that is damaged should be carefully checked to determine that it will operate properly and perform its intended function. Check for alignment of moving parts, binding of moving parts, breakage of parts, mounting, and any other condition that may affect its operation. A guard or other part that is damaged should be properly repaired or replaced by an authorized service center unless indicated elsewhere in this manual.

### FOR ALL BATTERY - OPERATED GARDENING APPLIANCES:

1. Prevent unintentional starting. Ensure the switch is in the off-position before connecting to battery pack, picking up or carrying the appliance. Carrying the appliance with your finger on the switch or energizing appliance that have the switch on invites accidents.
2. Disconnect the battery pack from the appliance before making any adjustments, changing accessories, or storing appliance. Such preventive safety measures reduce the risk of starting the appliance accidentally.
3. Recharge only with the charger specified by the manufacturer. A charger that is suitable for one type of battery pack may create a risk of fire when used with another battery pack.
4. Use appliances only with specifically designated battery packs. Use of any other battery packs may create a risk of injury and fire.
5. When battery pack is not in use, keep it away from other metal objects, like paper clips, coins, keys, nails, screws or other small metal objects, that can make a connection from one terminal to another. Shorting the battery terminals together may cause burns or a fire.
6. Under abusive conditions, liquid may be ejected from the battery; avoid contact. If contact accidentally occurs, flush with water. If liquid contacts eyes, additionally seek medical help. Liquid ejected from the battery may cause irritation or burns.
7. Do not use a battery pack or appliance that is damaged or modified. Damaged or modified batteries may exhibit unpredictable behavior resulting in fire, explosion or risk of injury.
8. Do not expose a battery pack or appliance to fire or excessive temperature. Exposure to fire or temperature above 130°C may cause explosion.
9. Follow all charging instructions and do not charge the battery pack or appliance outside of the temperature range specified in the instructions. Charging improperly or at temperatures outside of the specified range may damage the battery and increase the risk of fire.
10. Have servicing performed by a qualified repair person using only identical replacement parts. This will ensure that the safety of the product is maintained.
11. Do not modify or attempt to repair the appliance or the battery pack (as applicable) except as indicated in the instructions for use and care.

## BRUSH CUTTER SAFETY WARNINGS

### 1. Physical Condition of Operator

Do not operate this unit when tired, ill, or under the influence of alcohol, drugs, or medication.

### 2. Clothing Recommendation

Always wear heavy, long pants, boots, gloves, and

a long-sleeve shirt. Do not wear loose clothing, jewelry, short pants, sandals, or go barefoot. Secure hair so it is above shoulder level.

### 3. Condition of Unit Before Use

Inspect unit before each use. Replace damaged parts. Make sure all fasteners are in place and secure. Replace cutting attachment parts that are cracked, chipped, or damaged in any way. Make sure the cutting attachment is properly installed and securely fastened. Be sure the cutting attachment shield is properly attached and in the position recommended by the manufacturer.

The handles shall be mounted in accordance with the manufacturer's instructions. Do not attach any blade to a unit without proper installation of all required parts. Failure to use the proper parts can cause the blade to fly off and seriously injure the operator and/or bystanders. Discard blades that are bent, warped, cracked, broken, or damaged in any way. Use a sharp blade. A dull blade is more likely to snag and thrust.

### 4. Proper Stance

Keep firm footing and balance. Do not over-reach. Keep cutting attachment below waist level. Keep all parts of your body away from the rotating cutting attachment.

### 5. Work Area

Clear the area to be cut before each use. Remove all objects such as rocks, broken glass, nails, wire, or string, which can be thrown or become entangled in the cutting attachment.

### 6. Stopping the Unit

A coasting blade can cause injury while it continues to spin after the appliance is stopped. Maintain proper control until the blade has completely stopped rotating. When the unit is turned off, make sure the cutting attachment has stopped before servicing, cleaning or removing material from the gardening appliance and before the unit is set down.

### 7. Blade Thrust Danger

Blade thrust may occur when the spinning blade contacts an object that it does not immediately cut. Blade thrust can be violent enough to cause the unit and/or operator to be propelled in any direction, and possibly lose control of the unit.

Blade thrust can occur without warning if the blade snags, stalls or binds.

Blade thrust is more likely to occur in areas where it is difficult to see the material being cut.

## SAFETY WARNINGS FOR BATTERY PACK













- a) **Do not dismantle, open or shred battery pack.**
- b) **Do not expose battery pack to heat or fire. Avoid storage in direct sunlight.**
- c) **Do not short-circuit a battery pack. Do not store battery packs haphazardly in a box or drawer where they may short-circuit each other or be short-circuited by other metal objects.** When battery pack is not in use, keep it away from other metal objects, like paper

clips, coins, keys, nails, screws or other small metal objects, that can make a connection from one terminal to another. Shorting the battery terminals together may cause burns or fire.

- d) **Do not remove battery pack from its original packaging until required for use.**
- e) **Do not subject battery pack to mechanical shock.**
- f) **In the event of battery leaking, do not allow the liquid to come in contact with the skin or eyes. If contact has been made, wash the affected area with copious amounts of water and seek medical advice.**
- g) **Observe the plus (+) and minus (-) marks on the battery back and equipment and ensure correct use.**
- h) **Do not use any battery pack which is not designed for use with the equipment.**
- i) **Keep battery pack out of the reach of children.**
- j) **Seek medical advice immediately if a cell or battery has been swallowed.**
- k) **Always purchase the battery pack recommended by the device manufacturer for the equipment.**
- l) **Keep battery pack clean and dry.**
- m) **Wipe the battery pack terminals with a clean dry cloth if they become dirty.**
- n) **Battery pack needs to be charged before use. Always use the correct charger and refer to the manufacturer's instructions or equipment manual for proper charging instructions.**
- o) **Do not leave battery pack on prolonged charge when not in use.**
- p) **After extended periods of storage, it may be necessary to charge and discharge the battery pack several times to obtain maximum performance.**
- q) **Battery pack gives its best performance when it is operated at normal room temperature (20 °C ± 5 °C).**
- r) **When disposing of battery packs, keep battery packs of different electrochemical systems separate from each other.**
- s) **Recharge only with the charger specified by Worx. Do not use any charger other than that specifically provided for use with the equipment.** A charger that is suitable for one type of battery pack may create a risk of fire when used with another battery pack.
- t) **Retain the original product literature for future reference.**
- u) **Use only the battery pack in the application for which it was intended.**
- v) **Remove the battery pack from the equipment when not in use.**
- w) **Dispose of properly.**

**SAVE THESE INSTRUCTIONS**

## SYMBOLS

	To reduce the risk of injury, user must read instruction manual
	Wear ear protection
	Wear head protection
	Wear protective gloves
	Wear protective footwear
	The distance between the machine and bystanders shall be at least 15 m
	Beware of thrown objects
	Beware of blade thrust
 Li-Ion	Li-Ion battery, battery must be recycled
	Do not burn
	Batteries may enter water cycle if disposed improperly, which can be hazardous for ecosystem. Do not dispose of waste batteries as unsorted municipal waste.
	Remove battery from the socket before carrying out any adjustment, servicing or maintenance.



call2recycle®

POSITEC Inc. has established a partnership with the RBRC Corporation to recycle any Positec batteries with the RBRC-call2recycle seal. For environmental protection, please do not discard batteries in the trash. After the batteries' life cycle is ended, then please call 1-800-822-8837 for a free service that will properly dispose of the battery.

## COMPONENT LIST

### 1. BLADE GUARD

### 2. BLADE

### 3. COVER/BLADE HOUSING

### 4. LOCK-NUT

### 5. WASHER \*

### 6. SHOULDER STRAP

### 7. SAFETY-STOP GUARD

### 8. FLANGE

### 9. WRENCH

### 10. HEX KEY

\*Spare part for after-market blades.  
Not all the accessories illustrated or described are included in standard delivery.

## TECHNICAL DATA

	WA0221
No load speed	6700r/min
Cutting diameter	9" (25cm)
Machine weight	3.97lbs (1.8kg)

## ACCESSORIES

	WA0221
Wrench	1
Hex key	1
Shoulder strap	1



Safety-stop handle	1
--------------------	---

Only use the appropriate accessories intended for this tool. Accessory information can be found on the product packaging, at a Worx dealer or on our website at [www.worx.com](http://www.worx.com).

## OPERATING INSTRUCTIONS



**NOTE:** Before using the tool, read the instruction book carefully.

### INTEND USE

This attachment is intended for cutting thick brush.

### ASSEMBLY & OPERATION

Action	Figure
<b>ASSEMBLY</b>	
<b>Connecting</b> Remove the existing attachment, and connect the pole hedge trimmer. Slip the attachment into the shaft of the main unit and secure in place with the locking knob.	See Fig. A
Assembling the safety-stop handle Loosen the screw on the auxiliary handle, insert the safety-stop handle, then tighten the screw to make sure it is well fixed.	See Fig. B
<b>Assembling the shoulder strap</b>	See Fig. C
<b>Assembling the safety guard</b> Remove (8) Flange. Remove three screws and install (1) Safety Guard by aligning three holes over screw holes. Reinstall screws to secure safety guard. Reinsert (8) Flange.	See Fig. D
<b>Assembling the brush cutter blade</b> Insert (10) Hex Key into hole. Place (2) blade over (8) Flange. Place (3) Cover over blade. Then, use (9) wrench to tighten (4) Lock-Nut.	See Fig. E1, E2
<b>OPERATION</b>	
<b>Starting</b> Press the lock-off button first, then press the switch trigger to start the machine.	See Fig. F

## MAINTENANCE

**Remove the battery from brush cutter attachment before carrying out any adjustment, servicing or maintenance.**

There are no user serviceable parts in your power tool. Never use water or chemical cleaners to clean your power tool. Wipe clean with a dry cloth. Always store your power tool in a dry place. Keep the motor ventilation slots clean. Keep all working controls free of dust.

## FOR BATTERY TOOLS

The ambient temperature range for the use and storage of tool and battery is 0°C-45°C (32°F-113°F). The recommended ambient temperature range for the charging system during charging is 0°C-40°C (32°F-104°F).