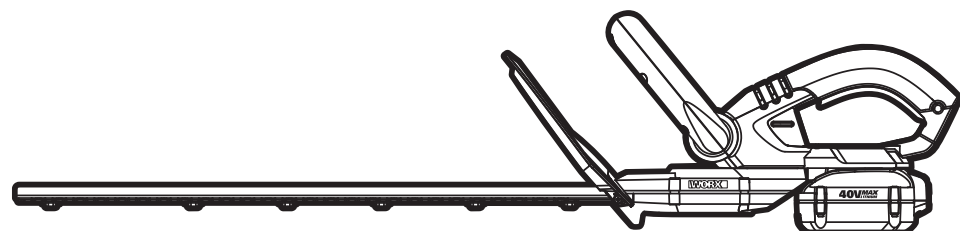


WORX®



Cordless Hedge Trimmer

EN P02

Taille-haies sans fil

F P12


Cortasetos Inalámbrico

ES P21




HELPLINE NUMBER
NUMERO DU SERVICE D'ASSISTANCE
NUMERO DE LINEA DE AYUDA
1-866-354-WORX (9679)

WG255.1 WG255.9 WG275
WG275.9 WG280 WG280.9


 **WARNING:** Some dust created by power sanding, sawing, grinding, drilling and other construction activities contains chemicals known to the state of California to cause cancer, birth defects or other reproductive harm. Some examples of these chemicals are:

- Lead from lead-based paints;
- Crystalline silica from bricks and cement and other masonry products;
- Arsenic and chromium from chemically-treated lumber.

Your risk from these exposures varies, depending on how often you do this type of work. To reduce your exposure to these chemical: work in a well ventilated area, and work with approved safety equipment, such as those dust masks that are specially designed to filter out microscopic particles.

 **WARNING:** This product can expose you to chemicals including lead, phthalate or bisphenol A which are known to the State of California to cause cancer, birth defects or other reproductive harm. Wash your hands after use. For more information go to www.P65Warnings.ca.gov.

GENERAL POWER TOOL SAFETY WARNINGS

 **WARNING:** Read all safety warnings and instructions. Failure to follow the warnings and instructions may result in electric shock, fire and/or serious injury.

Save all warnings and instructions for future reference.

The term “power tool” in the warnings refers to your mains-operated (corded) power tool or battery-operated (cordless) power tool.

1. WORK AREA SAFETY

- Keep work area clean and well lit.** Cluttered or dark areas invite accidents.
- Do not operate power tools in explosive atmospheres, such as in the presence of flammable liquids, gases or dust.** Power tools create sparks

which may ignite the dust or fumes.

- Keep children and bystanders away while operating a power tool.** Distractions can cause you to lose control.

2. ELECTRICAL SAFETY

- Power tool plugs must match the outlet. Never modify the plug in any way. Do not use any adapter plugs with earthed (grounded) power tools.** Unmodified plugs and matching outlets will reduce risk of electric shock.
- Avoid body contact with earthed or grounded surfaces such as pipes, radiators, ranges and refrigerators.** There is an increased risk of electric shock if your body is earthed or grounded.
- Do not expose power tools to rain or wet conditions.** Water entering a power tool will increase the risk of electric shock.
- Do not abuse the cord. Never use the cord for carrying, pulling or unplugging the power tool. Keep cord away from heat, oil, sharp edges or moving parts.** Damaged or entangled cords increase the risk of electric shock.
- If operating a power tool in a damp location is unavoidable, use a residual current device (RCD) protected supply.** Use of an RCD reduces the risk of electric shock.

3. PERSONAL SAFETY

- Stay alert, watch what you are doing and use common sense when operating a power tool. Do not use a power tool while you are tired or under the influence of drugs, alcohol or medication.** A moment of inattention while operating power tools may result in serious personal injury.
- Use personal protective equipment. Always wear eye protection.** Protective equipment such as dust mask, non-skid safety shoes, hard hat, or hearing protection used for appropriate conditions will reduce personal injuries.
- Prevent unintentional starting. Ensure the switch is in the off-position before connecting to power source and/or battery pack, picking up or**

carrying the tool. Carrying power tools with your finger on the switch or energising power tools that have the switch on invites accidents.

- d) Remove any adjusting key or wrench before turning the power tool on.** A wrench or a key left attached to a rotating part of the power tool may result in personal injury.
- e) Do not overreach. Keep proper footing and balance at all times.** This enables better control of the power tool in unexpected situations.
- f) Dress properly. Do not wear loose clothing or jewellery. Keep your hair, clothing and gloves away from moving parts.** Loose clothes, jewellery or long hair can be caught in moving parts.
- g) If devices are provided for the connection of dust extraction and collection facilities, ensure these are connected and properly used.** Use of dust collection can reduce dust-related hazards.

4. POWER TOOL USE AND CARE

- a) Do not force the power tool. Use the correct power tool for your application.** The correct power tool will do the job better and safer at the rate for which it was designed.
- b) Do not use the power tool if the switch does not turn it on and off.** Any power tool that cannot be controlled with the switch is dangerous and must be repaired.
- c) Disconnect the plug from the power source and/or the battery pack from the power tool before making any adjustments, changing accessories, or storing power tools.** Such preventive safety measures reduce the risk of starting the power tool accidentally.
- d) Store idle power tools out of the reach of children and do not allow persons unfamiliar with the power tool or these instructions to operate the power tool.** Power tools are dangerous in the hands of untrained users.
- e) Maintain power tools. Check for misalignment or binding of moving**

parts, breakage of parts and any other condition that may affect the power tools operation. If damaged, have the power tool repaired before use. Many accidents are caused by poorly maintained power tools.

- f) Keep cutting tools sharp and clean.** Properly maintained cutting tools with sharp cutting edges are less likely to bind and are easier to control.
- g) Use the power tool, accessories and tool bits etc., in accordance with these instructions and in the manner intended for the particular type of power tool, taking into account the working conditions and the work to be performed.** Use of the power tool for operations different from those intended could result in a hazardous situation.

5. BATTERY TOOL USE AND CARE

- a) Recharge only with the charger specified by the manufacturer.** A charger that is suitable for one type of battery pack may create a risk of fire when used with another battery pack.
- b) Use power tools only with specifically designated battery packs.** Use of any other battery packs may create a risk of injury and fire.
- c) When battery pack is not in use, keep it away from other metal objects, like paper clips, coins, keys, nails, screws or other small metal objects, that can make a connection from one terminal to another.** Shorting the battery terminals together may cause burns or a fire.
- d) Under abusive conditions, liquid may be ejected from the battery; avoid contact. If contact accidentally occurs, flush with water. If liquid contacts eyes, additionally seek medical help.** Liquid ejected from the battery may cause irritation or burns.


6. SERVICE




- a) Have your power tool serviced by a qualified repair person using only identical replacement parts.** This will ensure that the safety of the power tool is maintained.

HEDGE TRIMMER SAFETY WARNINGS

- 1) **Keep all parts of the body away from the cutter blade. Do not remove cut material or hold material to be cut when blades are moving. Make sure the switch is off when clearing jammed material. Blades coast after turn off.** A moment of inattention while operating the hedge trimmer may result in serious personal injury.
- 2) **Carry the hedge trimmer by the handle with the cutter blade stopped. When transporting or storing the hedge trimmer always fit the cutting device cover.** Proper handling of the hedge trimmer will reduce possible personal injury from the cutter blades.
- 3) **Hold the power tool by insulated gripping surfaces only, because the cutter blade may contact hidden wiring or its own cord.** Cutter blades contacting a live wire may make exposed metal parts of the power tool live and could give the operator an electric shock
- 4) **Keep hands away from blade.** Contact with blade will result in serious personal injury.
- 5) **Use both hands when operating the hedge trimmer. Using one hand could cause loss of control and result in serious personal injury**
- 6) **Only use with handle and guard properly assembled to hedge trimmer. The use of the hedge trimmer without the proper guard or handle provided may result in serious personal injury**
- 7) **Check the hedge for foreign objects, e.g. wire fences**

GENERAL SAFETY WARNINGS FOR BATTERY PACK

- 1)  **WARNING: Risk of fire and burns. Do not disassemble, heat above 100°C (212°F), or incinerate.**

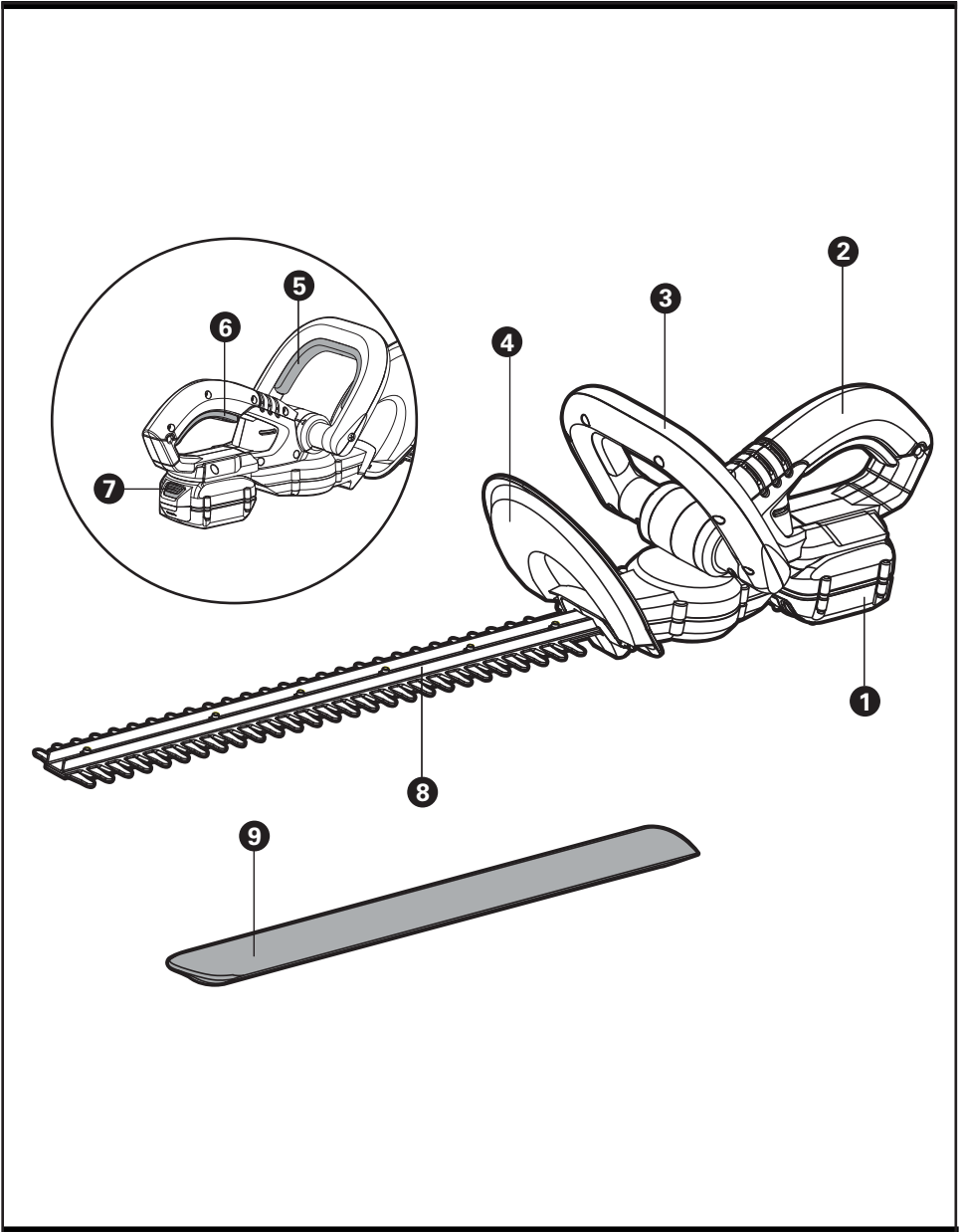
- 2) **Do not expose cells or batteries to heat or fire. Avoid storage in direct sunlight.**
- 2) **Dispose of used battery promptly.. When disposing of secondary cells or batteries, keep cells or batteries of different electrochemical systems separate from each other.**
- 3) **Keep battery out of reach of children and in original package until ready to use.**
- 4) **Never put batteries in mouth. If swallowed, contact your physician or local poison control center.**
- 5)  **CAUTION – The battery used in this device may present a risk of fire or chemical burn if mistreated. Replace battery with (WORX) only. Use of another battery may present a risk of fire or explosion**
- 6)  **WARNING: Do not use a visibly damaged battery pack or appliance as applicable.**
- 7)  **WARNING: Do not modify or attempt to repair the appliance or the battery pack as applicable.**
- 8) **BATTERY MUST BE RECYCLED**
- 9) **Do not short-circuit a cell or battery. Do not store cells or batteries haphazardly in a box or drawer where they may short-circuit each other or be short-circuited by conductive materials.**
- 10) **Do not subject cells or batteries to mechanical shock.**
- 11) **Keep cells and batteries clean and dry.** Wipe the cell or battery terminals with a clean dry cloth if they become dirty.
- 12) **Do not maintain secondary cells and batteries on charge when not in use.**
- 13) **Retain the original cell and battery literature for future reference.**
- 14) **Do not use any charger other than that specifically provided for use with the equipment.** Secondary cells and batteries need to be charged before use. Always use the correct charger and refer to the manufacturer's instructions or equipment manual for proper charging instructions.

- 15) When possible, remove the battery from the equipment when not in use.
- 16) Prevent unintentional starting. Ensure the switch is in the off-position before connecting to battery pack, picking up or carrying the appliance. Carrying the appliance with your finger on the switch or energizing appliance that have the switch on invites accidents.
- 17) Disconnect the battery pack from the appliance before making any adjustments, changing accessories, or storing appliance. Such preventive safety measures reduce the risk of starting the appliance accidentally.
- 18) Under abusive conditions, liquid may be ejected from the battery; avoid contact. If contact accidentally occurs, flush with water. If liquid contacts eyes, additionally seek medical help. Liquid ejected from the battery may cause irritation or burns.
- 19) Have servicing performed by a qualified repair person using only identical replacement parts. This will ensure that the safety of the product is maintained.

	Wear protective gloves
	Do not expose to rain
	DANGER – Keep hands away from blade
	Remove battery from the socket before carrying out any adjustment, servicing or maintenance.
 Li-Ion	Li-Ion battery, battery must be recycled
	call2recycle® POSITEC Inc. has established a partnership with the RBRC Corporation to recycle any Positec batteries with the RBRC-call2recycle seal. For environmental protection, please do not discard batteries in the trash. After the batteries' life cycle is ended, then please call 1-800-822-8837 for a free service that will properly dispose of the battery.

SYMBOLS

	To reduce the risk of injury, user must read instruction manual
	Wear ear protection
	Wear eye protection
	Wear dust mask



1. BATTERY PACK*

2. REAR HANDLE

3. FRONT HANDLE

4. SAFETY GUARD

5. FRONT SWITCH LEVER (ALL AROUND SWITCH FUNCTION)

6. REAR SWITCH LEVER

7. BATTERY PACK RELEASE BUTTON

8. BLADE

9. BLADE SHEATH

***Not all the accessories illustrated or described are included in standard delivery.**

TECHNICAL DATA

	WG255.1	WG255.9
Voltage	20V \approx Max**	
Cutting length	20inch	
Cutting diameter	9/16inch	
Charging time	Approx.5hr	/
Machine weight	5.3lbs	4.2lbs

	WG275	WG275.9	WG280	WG280.9
Voltage	32V \approx Max**		40V \approx Max**	
Cutting length	20inch			
Cutting diameter	9/16inch		3/4inch	
Charging time	Approx. 5hr	/	Approx.8hr	/
Machine weight	5.6lbs	4.4lbs	5.8lbs	4.4lbs

**Voltage measured without workload. Initial battery voltage reaches maximum of 20 volts.

Nominal voltage is 18 volts.

Voltage measured without workload. Initial battery voltage reaches maximum of 32 volts.

Nominal voltage is 28.8 volts.

Voltage measured without workload. Initial battery voltage reaches maximum of 40 volts.

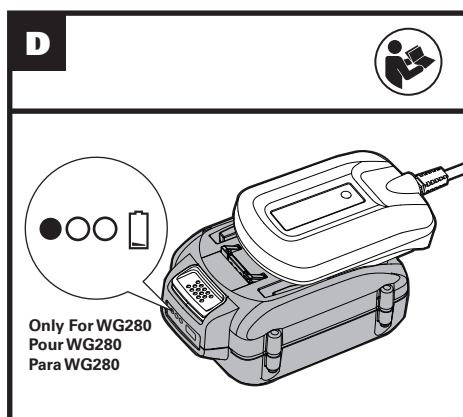
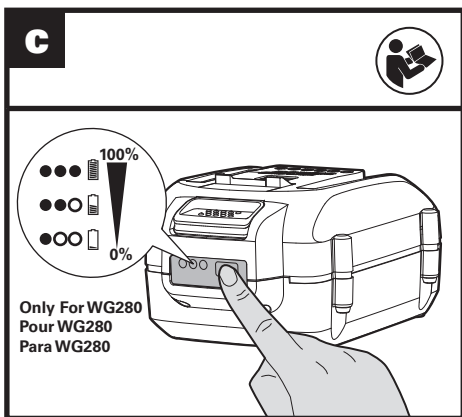
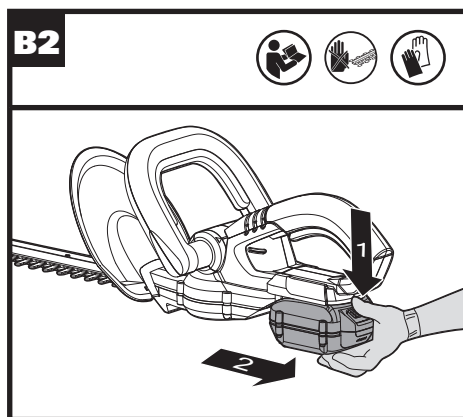
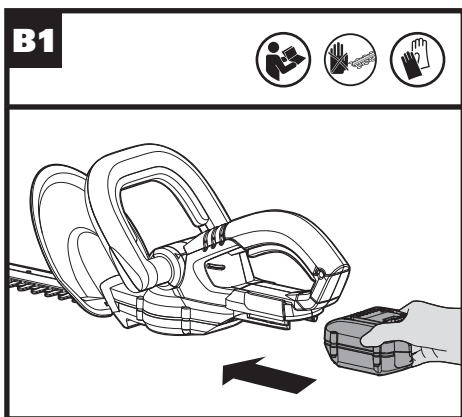
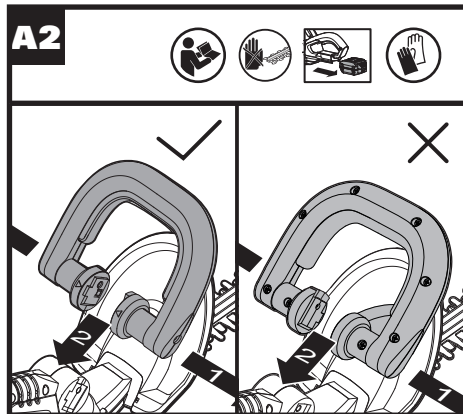
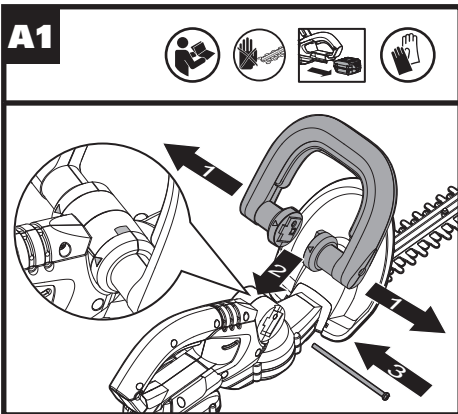
Nominal voltage is 36 volts.

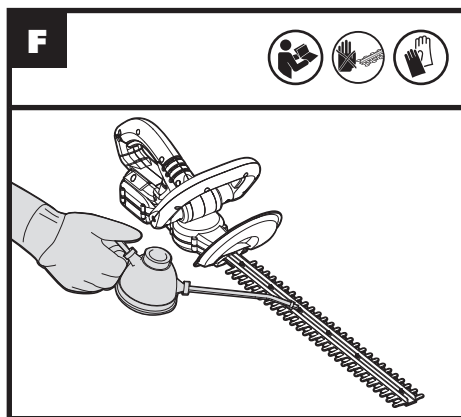
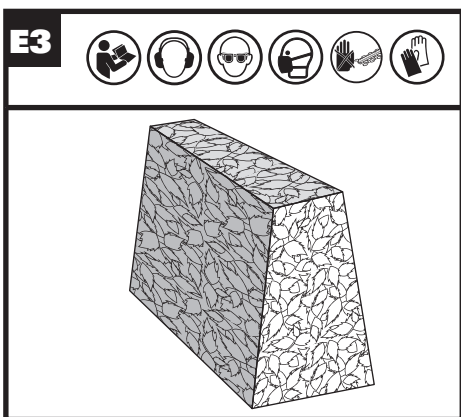
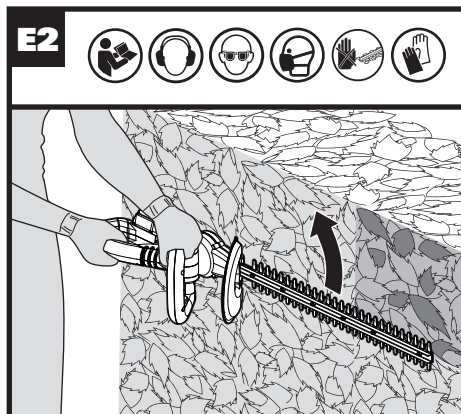
ACCESSORIES

	WG255.1	WG255.9
Blade sheath	1	1
Safety guard	1	1
Charger	1(WA3742)	/
Battery pack	1(WA3520)	/

	WG275	WG275.9	WG280	WG280.9
Blade sheath	1	1	1	1
Safety guard	1	1	1	1
Charger	1(WA3740)	/	1(WA3747)	/
Battery pack	1(WA3537)	/	1(WA3580)	/

Only use the appropriate accessories intended for this tool. Accessory information can be found on the product packaging, at a WORX dealer or on our website at www.worx.com.






OPERATING INSTRUCTIONS

 **WARNING! DO NOT USE THE PRODUCT WITHOUT ATTACHING THE GUARD AND FRONT HANDLE.**

ASSEMBLY & OPERATION

ACTION	FIGURE
ASSEMBLY	
Assembling the Front Handle Note: Handle screws should be facing the protective shield. If the handle is assembled incorrectly, the tool will not power on.	See Fig. A1, A2
Installing and Removing the battery pack	See Fig. B1, B2
Checking the battery condition (only for WG280) Your battery pack is UNCHARGED, you must charge before use.	See Fig. C
Charging the battery pack More details can be found in WA3732/WA3740/WA3742/WA3747's manual	See Fig. D
OPERATION	
Top cutting  WARNING: If any parts are missing, damaged or broken, do not operate your hedge trimmer until all damaged parts have been replaced or repaired. Failure to do so could result in serious personal injury. DO NOT USE WITHOUT HANDLE AND GUARD.	See Fig. E1
Side cutting	See Fig. E2, E3
Lubricating the cutting blade	See Fig. F

HOW TO USE YOUR HEDGE TRIMMER

Allow the cutting blades to reach full speed before cutting. When operating, keep the cutting blades away from people and objects such as walls, large stones, trees, vehicles, etc. If the blade stalls, immediately stop the trimmer. Release the two Switch Levers (5 & 6) before attempting to clear jammed debris from the cutting blades.

Do not attempt to cut stems that are too thick for the cutting blade.

TOP CUTTING

Use a wide sweeping motion (See Fig. E1). A slight downward tilt of the cutting blades in the direction of motion gives the best cutting results.

SIDE CUTTING

When trimming the sides of the hedge, begin at the bottom and cut upwards (See Fig. E2), tapering the hedge inward at the top. This shape will expose more of the hedge, resulting in a more uniformed growth.

MAINTENANCE

Remove battery from the socket before carrying out any adjustment, servicing or maintenance.

There are no user serviceable parts in your power tool. Never use water or chemical cleaners to clean your power tool. Wipe clean with a dry cloth. Always store your power tool in a dry place. Keep the motor ventilation slots clean. Keep all working controls free of dust.

AVERTISSEMENT! Des produits chimiques connus de l'état de Californie pour causer des cancers et des anomalies congénitales ou autre trouble reproductif. Voici des exemples de ces produits chimiques:

- Plomb issu de peinture à base de plomb;
- Silice cristalline issue de briques et du ciment et autres produits de maçonnerie;
- Arsenic et chrome issus de bois traité chimiquement.

Votre risque de ces expositions varie en fonction de la fréquence à laquelle vous effectuez ce travail. Pour réduire votre exposition à ces produits chimiques: Travaillez dans une zone bien ventilée; Portez un équipement de sécurité approuvé, tel que des masques antipoussières spécialement conçus pour éliminer les particules microscopiques par filtrage.

AVERTISSEMENT: Ce produit peut vous exposer à des produits chimiques, incluant au plomb, au phtalate ou au bisphénol A, qui sont reconnus dans l'État de Californie comme pouvant causer un cancer, des anomalies congénitales ou d'autres dommages à l'appareil reproducteur. Assurez-vous de bien vous laver les mains après usage. Pour en savoir plus, veuillez consulter le site www.P65Warnings.ca.gov.

AVERTISSEMENTS GENERAUX CONCERNANT LA SECURITE DES OUTILS ELECTRIQUES

AVERTISSEMENT! Lisez et assimilez toutes les instructions. Le non-respect des instructions ci-après peut entraîner un risque de choc électrique, d'incendie et/ou de blessures graves.

Conservez tous les avertissements et instructions pour pouvoir les consulter ultérieurement.

L'expression « outil électrique » dans tous les avertissements énumérés ci-dessous se réfère à votre outil électrique fonctionnant sur secteur (branché) ou à batterie (sans-fil).

1. AIRE DE TRAVAIL

- Veillez à ce que l'aire de travail soit propre et bien éclairée.** Le désordre et le manque de lumière favorisent les accidents.
- N'utilisez pas d'outils électriques dans un milieu présentant un risque d'explosion, par exemple en présence de liquides, de gaz ou de poussières inflammables.** Les outils électriques créent des étincelles qui pourraient enflammer les poussières ou les vapeurs.
- Gardez à distance les curieux, les enfants et les visiteurs lorsque vous travaillez avec un outil électrique.** Ils pourraient vous distraire et vous faire faire une fausse manoeuvre.

2. SÉCURITÉ ÉLECTRIQUE

- Les fiches des outils électriques doivent correspondre aux prises murales. Ne jamais modifier la fiche de quelque façon que ce soit. Ne pas utiliser de fiches d'adaptation avec des outils électriques mis à la terre (mis à la masse).** Des fiches non modifiées et des prises qui leur correspondent réduiront le risque de choc électrique.
- Évitez tout contact corporel avec des surfaces mises à la terre (tuyauterie, radiateurs, cuisinières, réfrigérateurs, etc.).** Le risque de choc électrique est plus grand si votre corps est en contact avec la terre.
- N'exposez pas les outils électriques à la pluie ou à l'eau.** La présence d'eau dans un outil électrique augmente le risque de choc électrique.
- Ne maltraitez pas le cordon. Ne transportez jamais l'outil par son cordon et ne débranchez jamais la fiche en tirant sur le cordon. N'exposez pas le cordon à la chaleur, à des huiles, à des arrêtes vives ou à des pièces en mouvement.** Un cordon endommagé augmente le risque de choc électrique.
- Si vous devez utiliser un outil électrique dans un endroit humide, utilisez un dispositif de courant résiduel (RCD) d'alimentation**

protégée. L'utilisation d'un RCD réduit le risque de choc électrique.

3. SÉCURITÉ DES PERSONNES

- a) **Restez alerte, concentrez-vous sur votre travail et faites preuve de bon sens. N'utilisez pas un outil électrique si vous êtes fatigué ou sous l'influence de drogues, d'alcool ou de médicaments.** Un instant d'inattention lors de l'utilisation d'outils électriques peut entraîner des blessures graves.
- b) **Utilisez des accessoires de sécurité. Portez toujours une protection oculaire.** De l'équipement de sécurité tel que le masque antipoussière, les chaussures de sécurité antidérapantes, des casques durs ou des protections antibruit utilisés dans des conditions appropriées réduiraient les blessures corporelles.
- c) **Évitez les démarrages accidentels. Avant d'insérer la batterie dans l'outil, assurez-vous que son interrupteur est en position « OFF » (Arrêt) ou verrouillée.** Le fait de transporter un outil avec le doigt sur la détente/l'interrupteur ou d'insérer la batterie dans un outil dont la détente est en position « ON » (Marche) peut causer un accident.
- d) **Retirez les clés de réglage avant de mettre l'outil sous tension.** Une clé restée attachée à une partie mobile de l'outil pourrait entraîner des blessures corporelles.
- e) **Ne vous penchez pas trop en avant. Maintenez un bon appui et restez en équilibre en tout temps.** Une bonne stabilité vous permet de mieux réagir à une situation inattendue.
- f) **Habilitez-vous convenablement. Ne portez ni vêtements flottants ni bijoux. Gardez les cheveux, les vêtements et les gants éloignés des pièces en mouvement.** Les vêtements flottants, les bijoux ou les cheveux longs risquent d'être happés par des pièces en mouvement.
- g) **Si un sac de récupération de la poussière est fourni avec un**

connecteur pour aspirateur, assurez-vous qu'il est correctement relié et utilisé de façon appropriée. L'utilisation de ce système réduit les dangers physiques et physiologiques liés à la poussière.

4. UTILISATION ET ENTRETIEN DE L'OUTIL

- a) **Ne forcez pas l'outil. Utilisez l'outil approprié à la tâche.** L'outil approprié fonctionne mieux et de façon plus sécuritaire. Respectez aussi la vitesse de travail qui lui est propre.
- b) **N'utilisez pas un outil si l'interrupteur ne le met pas en marche ou ne peut l'arrêter.** Un outil qui ne peut être contrôlé par l'interrupteur est dangereux et doit être réparé.
- c) **Débranchez la batterie de l'outil ou mettez son interrupteur en position « OFF » (Arrêt) ou « LOCKED » (Verrouillé) avant d'effectuer un réglage, de changer d'accessoire ou de ranger l'outil.** De telles mesures de sécurité préventive réduisent le risque de démarrage accidentel de l'outil.
- d) **Rangez les outils hors de portée des enfants et d'autres personnes inexpérimentées.** Les outils sont dangereux dans les mains d'utilisateurs novices.
- e) **Prenez soin de bien entretenir les outils. Soyez attentif à tout désalignement ou coincement des pièces en mouvement, à tout bris ou à toute autre condition préjudiciable au bon fonctionnement de l'outil. Si vous constatez qu'un outil est endommagé, faites-le réparer avant de vous en servir.** De nombreux accidents sont causés par des outils en mauvais état.
- f) **Les outils de coupe doivent être toujours bien affûtés et propres.** Des outils bien entretenus, dont les arêtes sont bien tranchantes, sont moins susceptibles de se coincer et plus faciles à contrôler.
- g) **Utilisez l'outil électrique, les accessoires et les forets etc., en conformité avec ces instructions et**

de la manière conçue pour le type particulier d'outil électrique, prend en compte les conditions de travail et le travail qui doit être accompli. L'emploi de l'outil électrique pour des opérations différentes de celles pour lesquelles il a été conçu pourrait entraîner une situation dangereuse.

5. UTILISATION DE LA BATTERIE ET ENTRETIEN

- a) **Un outil à batterie avec batteries incorporées ou une batterie séparée doit être rechargé uniquement avec le chargeur indiqué pour la batterie.** Un chargeur qui peut être adéquat pour un type de batterie peut créer un risque d'incendie lorsqu'il est utilisé avec une autre batterie.
- b) **Utiliser un outil à batterie uniquement avec la batterie désignée.** L'emploi de toute autre batterie peut créer un risque d'incendie.
- c) **Lorsque la batterie n'est pas utilisée, tenez-la à l'écart d'autres objets métalliques tels que trombones, pièces de monnaie, clés, clous, vis ou autres petits objets métalliques susceptibles d'établir une connexion d'une borne à une autre.** Le court-circuitage des bornes de batterie peut causer des étincelles, des brûlures, une explosion ou un incendie.
- d) **Dans le cadre de conditions d'abus, du fluide peut être éjecté de la batterie, évitez tout contact. Si un contact se produisait accidentellement, rincez abondamment avec de l'eau.** Si le fluide touche les yeux, cherchez en plus de la mesure précédente de l'aide médicale. Le fluide éjecté de la batterie peut causer des irritations ou des brûlures.





6. ENTRETIEN

- a) **Ayez votre outil électrique entretenu par un réparateur agréé n'utilisant que des pièces de rechange identiques.** Cela assurera que la sécurité de l'outil électrique est maintenue.

CONSIGNES DE SÉCURITÉ

- 1. Maintenez toutes les parties du corps éloignées de la lame. Ne tentez jamais d'enlever les branches coupées ou ne tenez jamais les branches à couper lorsque la lame est en mouvement. Assurez-vous que l'interrupteur soit à la position OFF (ARRÊT) lorsque vous enlevez les branches bloquées dans la lame.** La lame s'arrête lentement lorsque l'appareil est mis hors tension. Un moment d'inattention lorsque vous utilisez le taille-haie peut résulter en des blessures corporelles graves.
- 2. Portez le taille-haie par la poignée et l'appareil hors tension pour que la lame soit inactive. Pour le transport et le rangement du taille-haie, installez toujours le protecteur de lame.** Une manipulation sécuritaire du taille-haie préviendra les blessures corporelles possibles causées par la lame.
- 3. Ne tenez l'appareil électrique que par les surfaces isolées de tenue puisque la lame pourrait entrer en contact avec du câblage caché ou son propre cordon d'alimentation.** La lame entrant en contact avec un fil sous tension peut mettre les parties métalliques de l'appareil sous tension, ce qui pourrait causer un choc électrique à l'opérateur.
- 4. Éloignez vos mains de la lame.** Tout contact avec la lame peut causer des blessures corporelles graves.
- 5. Utilisez vos deux mains lorsque vous servez du taille-haie. L'utilisation à une seule main peut résulter en une perte de contrôle et causer des blessures corporelles graves.**
- 6. N'utilisez le taille-haie que lorsque la poignée et le dispositif de protection sont assemblés correctement sur l'outil. L'utilisation du taille-haie non-équipé de sa poignée et de son dispositif de protection peut résulter en des blessures corporelles graves.**
- 7. Vérifiez la haie pour la présence d'objets étrangers, p. ex. une clôture métallique.**

CONSIGNES GÉNÉRALES DE SÉCURITÉ CONCERNANT LA BATTERIE

- 1)  **AVERTISSEMENT: Risque d'incendie et de brûlures. Ne démontez pas, ne chauffez pas à une température supérieure à 100°C (212°F) et n'incinérez pas l'appareil. N'exposez pas les piles cellulaires ou la batterie à la chaleur ou au feu. Évitez de ranger la batterie dans un endroit exposé à la lumière directe du soleil.**
- 2) **Jetez rapidement les piles usagées. Lors de l'élimination des piles cellulaires ou des batteries, gardez les piles ou les batteries de types électrochimiques différents séparés les uns des autres.**
- 3) **Gardez les piles hors de portée des enfants et dans leur emballage d'origine jusqu'au moment de vous en servir.**
- 4) **Ne mettez jamais les piles dans la bouche. En cas d'ingestion, consultez avec votre médecin ou un centre antipoison.**
- 5)  **ATTENTION - La batterie utilisée dans cet appareil peut présenter un risque d'incendie ou de brûlure chimique si elle n'est pas utilisée avec soin. Remplacez la batterie usée uniquement avec une batterie (WORX). L'utilisation de toute autre batterie peut engendrer un risque d'incendie ou d'explosion.**
- 6)  **AVERTISSEMENT: N'utilisez pas la batterie ou l'appareil s'il est visiblement endommagé.**
- 7)  **AVERTISSEMENT: Ne modifiez pas et n'essayez pas de réparer l'appareil ou la batterie vous-même.**
- 8) **LA BATTERIE DOIT ÊTRE RECYCLÉE;**
- 9) **Les bornes de contact d'une pile cellulaire ou d'une batterie ne doivent pas être mises en court-circuit. Ne placez pas en vrac les piles ou les batteries dans une boîte ou un tiroir où leurs bornes pourraient être mises en court-circuit par un matériau conducteur.**
- 10) **N'exposez pas la pile cellulaire ou la batterie à des chocs mécaniques.**
- 11) **Gardez les piles cellulaires et les batteries propres et sèches.** Essuyez les bornes de la pile cellulaire ou de la batterie avec un chiffon propre et sec si elles sont sales.
- 12) **Ne laissez pas la pile cellulaire ou la batterie en charge lorsqu'elles ne sont pas utilisées.**
- 13) **Conservez les instructions originales accompagnant la pile cellulaire ou la batterie pour toute future référence.**
- 14) **N'utilisez pas un chargeur autre que celui spécifiquement conçu pour être utilisé avec l'équipement. Accumulateurs besoin d'être rechargée avant l'utilisation.** Les piles cellulaires et les batteries doivent toujours être chargées avant l'utilisation. Utilisez toujours le chargeur adapté et reportez-vous aux instructions du fabricant ou au manuel de l'équipement pour suivre les instructions concernant la procédure de charge.
- 15) Si possible, enlevez la batterie de l'équipement lorsqu'il n'est pas utilisé.
- 16) Éviter tout démarrage accidentel. S'assurer que le commutateur est en position Arrêt avant de le connecter à une batterie, de prendre ou d'emporter l'appareil. Le fait de toucher à l'appareil lorsque le doigt est sur le commutateur ou lorsque l'appareil est sous-tension favorisent les accidents.
- 17) Déconnecter la batterie de l'appareil avant d'effectuer tout réglage, de changer les accessoires, ou de le garder. Ces mesures de sécurité préventives réduisent le risque de démarrage accidentel.
- 18) Sous des conditions dangereuses, un liquide peut s'échapper de la batterie. Dans ce cas, il faudra éviter tout contact avec ledit liquide. En cas de contact accidentel, rincer avec de l'eau. En cas de contact du liquide avec les yeux, consulter un médecin. Le liquide produit par la batterie peut provoquer des irritations ou des brûlures.
- 19) Les travaux de réparation doivent être effectués par un technicien qualifié qui utilisera des pièces de rechange identiques. Cette mesure permettra de garantir le maintien de la sécurité.

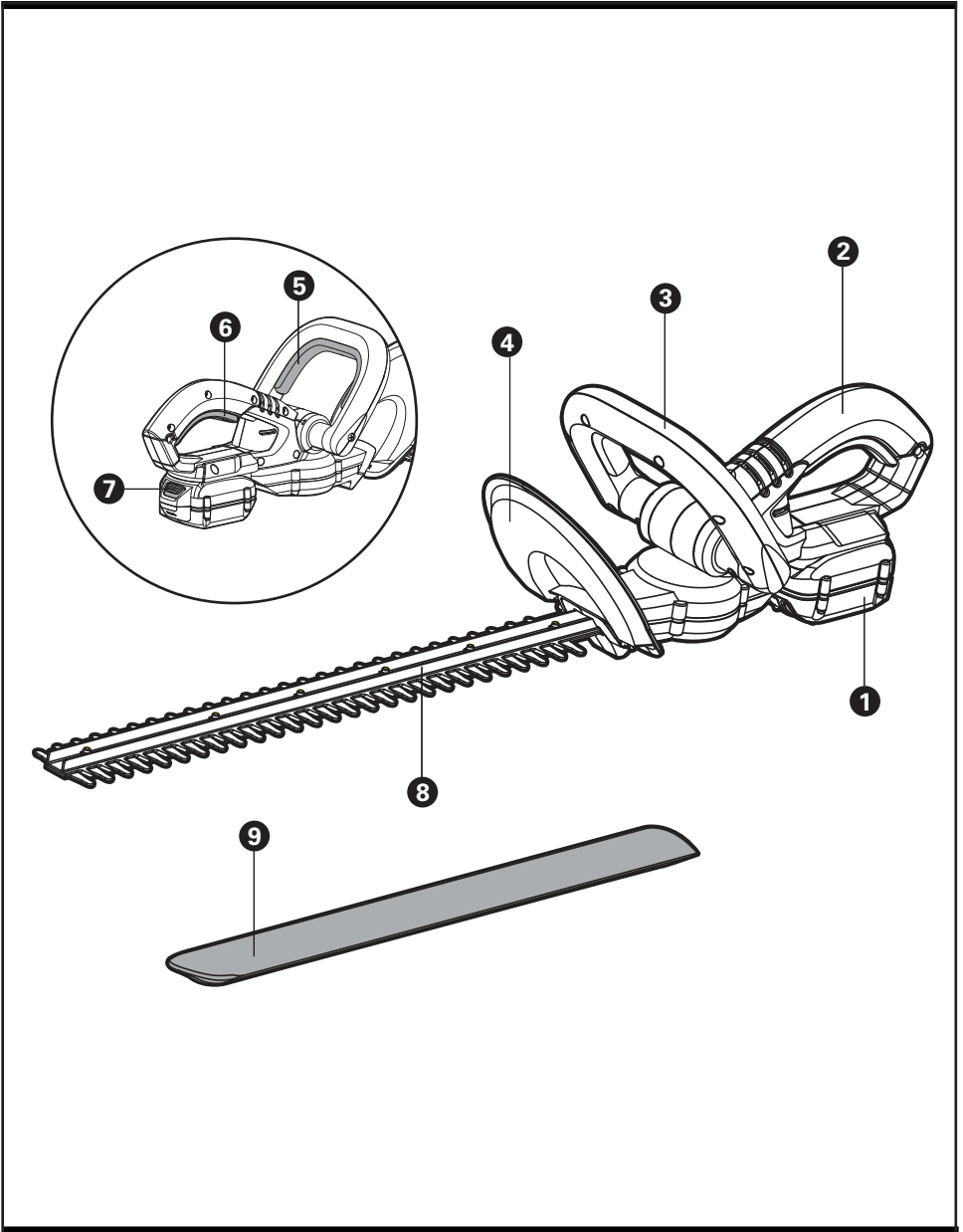
SYMBOLES

	Afin de réduire les risques de blessure, l'utilisateur doit lire ce mode d'emploi.
	Portez une protection auditive
	Portez un protecteur oculaire
	Portez un masque antipoussières
	Toujours porter des gants de protection
	Ne pas exposer à la pluie
	Gardez les mains et les pieds hors de l'aire de coupe
	Retirez la prise de la prise murale avant d'effectuer n'importe quel travail de réglage, de réparation ou d'entretien.
	Batterie Li-ion. Les batteries doivent être recyclées en collecte sélective.



call2recycle®

POSITEC Inc. a formé un partenariat avec RBRC Corporation pour le recyclage des batteries Positec portant le sceau RBRC-call2recycle. Pour la protection de l'environnement, veuillez à ne pas jeter les batteries aux poubelles. À la fin du cycle de vie de la batterie, appelez 1.800-822-8837 pour un service gratuit qui mettra la batterie au rebut selon les règles de l'art.



1. BLOC-PILES*

2. POIGNÉE ARRIÈRE

3. POIGNÉE AVANT

4. GARDE DE SÉCURITÉ

5. LEVIER D'ACTIONNEMENT AVANT (FONCTION DE COMMUTATEUR SUR 360°)

6. LEVIER D'ACTIONNEMENT

7. CRAN DE DÉGAGEMENT DU BLOC-PILES

8. LAME

9. GAINÉ DE LAME

***Certains accessoires illustrés ou décrits ici ne sont pas inclus dans une livraison standard.**

DONNÉES TECHNIQUES

	WG255.1	WG255.9
Tension nominale	20V \equiv Max**	
Longueur de découpe	51cm (20po)	
Diamètre de coupe	14mm (9/16po)	
Temps de chargement	env. 5h	/
Poids de l'outil	2.4kg (5.3lbs)	1.9kg (4.2lbs)

	WG275	WG275.9	WG280	WG280.9
Tension nominale	32V \equiv Max**		40V \equiv Max**	
Longueur de découpe	51cm (20po)			
Diamètre de coupe	14mm (9/16po)		19mm (3/4po)	
Temps de chargement	env. 5h	/	env. 8h	/
Poids de l'outil	2.5kg (5.6lbs)	2.0kg (4.4lbs)	2.6kg (5.8lbs)	2.0kg (4.4lbs)

**Tension mesurée hors fonctionnement. La tension initiale de la batterie atteint le maximum de 20 volts. La tension nominale est de 18 V.

Tension mesurée hors fonctionnement. La tension initiale de la batterie atteint le maximum de 32 volts. La tension nominale est de 28.8 V.

Tension mesurée hors fonctionnement. La tension initiale de la batterie atteint le maximum de 40 volts. La tension nominale est de 36 V.

19

ACCESSOIRES

	WG255.1	WG255.9
Gaine de lame	1	1
Garde de sécurité	1	1
Chargeur	1(WA3742)	/
Bloc-piles	1(WA3520)	/


	WG275	WG275.9	WG280	WG280.9
Gaine de lame	1	1	1	1
Garde de sécurité	1	1	1	1
Chargeur	1(WA3740)	/	1(WA3747)	/
Bloc-piles	1(WA3537)	/	1(WA3580)	/

N'utilisez que les accessoires compatibles à cet outil. Les informations des accessoires peuvent être trouvées sur l'emballage du produit, chez un détaillant WORX ou sur notre site Web www.worx.com.

INSTRUCTIONS D'UTILISATION

 **AVERTISSEMENT! N'UTILISEZ PAS L'OUTIL SANS LUI AVOIR FIXÉ SON GARDE PROTECTEUR ET SA POIGNÉE FRONTALE.**

ASSEMBLAGE & FONCTIONNEMENT

ACTION	SCHÉMA
MONTAGE	
Montage de la poignée Remarque: Les vis de la poignée doivent être orientées vers le bouclier protecteur. Si la poignée n'est pas assemblée correctement, l'outil ne s'allumera pas.	Voir Fig. A1, A2
Installation et désinstallation de la batterie	Voir Fig. B1, B2
20 Vérification de l'état de batterie (pour WG280 seulement) Votre bloc-pile n'est PAS CHARGÉ. Il faut donc le recharger une fois avant d'utiliser l'outil.	Voir Fig. C
RECHARGE DE LA BATTERIE Pour plus d'informations, se référer au manuel WA3732/ WA3740/WA3742/WA3747	Voir Fig. D
FONCTIONNEMENT	
Coupe sur le dessus  AVERTISSEMENT: Si une pièce ou l'autre du taille-haies est manquante, brisée ou en mauvais état, n'utilisez pas votre taille-haies avant d'avoir fait les remplacements/réparations nécessaires sinon il y aura risque élevé de blessures graves. N'UTILISEZ PAS L'OUTIL SANS SES POIGNÉES ET GARDE-PROTECTEUR.	Voir Fig. E1

Coupe longitudinale	Voir Fig. E2, E3
Lubrifier la lame de coupe	Voir Fig. F

RÉGLAGE DE POSITION DE LA POIGNÉE AVANT

Avant de débiter la coupe, laissez la lame atteindre sa pleine vitesse. Lorsque l'outil est en marche, gardez toujours sa lame éloignée de personnes et objets tels les murs, les grosses pierres, les arbres, les véhicules etc. Si la lame se bloque, arrêtez immédiatement l'outil. Avant d'entreprendre le dégagement de débris pris dans la lame, relâchez toujours les deux leviers d'actionnement (5 et 6).

N'essayez pas de couper des branches trop grosses pour la lame.

COUPE SUR LE DESSUS

Faites de grands mouvements de va et vient (voir E1) Une légère inclinaison vers le bas du devant de la lame (en direction du mouvement) donne le meilleur résultat de coupe.

COUPE LONGITUDINALE

Pour les coupes longitudinales de haies, débutez à la base et coupez vers le haut (voir E2) en faisant un biseau de la haie à sa partie supérieure. Cette forme créera une plus grande surface d'exposition de la haie qui produira une croissance plus uniforme.

ENTRETIEN

Retirez la prise de la prise murale avant d'effectuer n'importe quel travail de réglage, de réparation ou d'entretien.

Il ne comporte aucune pièce à réparer ou à entretenir par l'utilisateur. N'utilisez jamais de l'eau ou des nettoyants chimiques pour nettoyer l'outil. Essuyez-le avec un chiffon sec. Rangez toujours votre outil dans un endroit sec. Gardez propres les ouvertures de ventilation du moteur. Assurez-vous que les commandes soient exemptes de poussière.

⚠ ¡ADVERTENCIA! El polvo creado al lijar, serruchar, pulir, taladrar o realizar otras actividades de la construcción, contiene sustancias químicas que se sabe producen cáncer, defectos de nacimiento u otros daños al sistema reproductor. Algunos ejemplos de esos productos químicos son:

- El plomo de las pinturas a base de plomo;
- La sílice cristalina de los ladrillos, del cemento y de otros productos de albañilería;
- El arsénico y el cromo de la madera tratada químicamente.

El riesgo que se corre a causa del contacto con esos productos varía según la frecuencia con que usted realice este tipo de trabajos. Con el fin de reducir su exposición a esas sustancias químicas: l trabaje en un área bien ventilada, l utilice un equipo de seguridad adecuado, tal como una máscara contra el polvo especialmente diseñada para filtrar partículas microscópicas.

⚠ ADVERTENCIA: Este producto puede exponerlo a químicos que incluyen plomo, ftalato, o bisfenol A que se sabe en el Estado de California que causan cáncer, defectos de nacimiento u otros daños reproductivos. Lave sus manos después de usarlo. Para más información visite www.P65Warnings.ca.gov.

ADVERTENCIAS DE SEGURIDAD GENERALES PARA LA HERRAMIENTA MOTORIZADA

⚠ ¡ADVERTENCIA! Lea y comprenda todas las instrucciones. El no seguir todas las instrucciones a continuación puede ocasionar descargas eléctricas, incendios y/o heridas graves.

Conserve todas las advertencias e instrucciones para consulta futura.

El término “herramienta eléctrica” que figura en todas las advertencias que aparecen a continuación hace referencia a la herramienta

que funciona con la red de suministro eléctrico (con cable) o a la herramienta eléctrica accionada a baterías (sin cable).

1. ÁREA DE TRABAJO

- Mantenga su lugar de trabajo limpio y bien iluminado.** Bancos de trabajo desordenados y lugares oscuros invitan a los accidentes.
- No utilice herramientas eléctricas en atmósferas explosivas, como por ejemplo en presencia de líquidos, inflamables, gases o polvo.** Las herramientas eléctricas crean chispas que pueden encender el polvo o los vapores.
- Mantenga a los espectadores, niños y visitantes a una distancia prudente cuando esté utilizando una herramienta eléctrica.** Las distracciones pueden hacerle perder el control.

2. SEGURIDAD ELÉCTRICA

- Los enchufes de las herramientas eléctricas deben coincidir con el tomacorriente. No modifique de algún modo el enchufe. No utilice enchufes adaptadores con herramientas eléctricas conectadas a tierra.** Si no se modifican los enchufes y se utilizan los tomacorrientes adecuados, se reducirá el riesgo de una descarga eléctrica.
- Evite el contacto del cuerpo con las superficies conectadas a tierra tales como tuberías, radiadores, estufas de cocina y refrigeradores.** Existe mayor riesgo de que se produzcan descargas eléctricas si su cuerpo está conectado a tierra.
- No exponga las herramientas eléctricas a la lluvia ni a los ambientes húmedos.** La entrada de agua en una herramienta eléctrica aumenta el riesgo de que se produzcan descargas eléctricas.
- No abuse del cable.** Nunca use el cable para transportar las herramientas ni para sacar el enchufe de un tomacorriente. Mantenga el cable alejado del calor, el aceite, los bordes afilados o las piezas móviles. Los cables dañados aumentan el riesgo de que se produzcan descargas eléctricas.

e) **Si operar una herramienta eléctrica en un lugar húmedo es inevitable, use un elemento protegido del dispositivo de corriente residual (RCD).** El uso de un RCD reduce el riesgo de descargas eléctricas.

3. SEGURIDAD PERSONAL

a) **Manténgase alerta, fijese en lo que está haciendo y use el sentido común cuando utilice una herramienta eléctrica. No use la herramienta cuando esté cansado o se encuentre bajo la influencia de drogas, alcohol o medicamentos.** Un momento de distracción al utilizar herramientas eléctricas puede dar lugar a lesiones personales graves.

b) **Utilice equipo de seguridad. Use siempre protección ocular.** La utilización del equipo de seguridad como máscara antipolvo, zapatos de seguridad antideslizantes, casco o protección auditiva para condiciones adecuadas reducirá el riesgo de lesiones personales.

c) **Evite el arranque accidental. Asegúrese de que el interruptor esté en la posición de trabado o de apagado antes de instalar el paquete de baterías.** Transportar herramientas con el dedo en el interruptor o instalar el paquete de batería cuando el interruptor está encendido invitan a los accidentes.

d) **Retire las llaves o claves de ajuste antes de encender la herramienta.** Una llave o clave de ajuste dejada en una parte giratoria de la herramienta puede causar una lesión personal.

e) **No intente alcanzar demasiado lejos. Mantenga un apoyo de los pies y un equilibrio adecuados en todo momento.** El apoyo de los pies y el equilibrio adecuados permiten un mejor control de la herramienta en situaciones inesperadas.

f) **Vístase apropiadamente. No se ponga ropa holgada ni joyas. Mantenga su cabello, ropa y guantes alejados de las piezas móviles.** La ropa holgada, las joyas o el pelo largo pueden quedar atrapados en las piezas móviles.

g) **Si se proporcionan dispositivos para la extracción y recolección de polvo, asegúrese que estos estén conectados y utilizados correctamente.** El uso de estos dispositivos puede reducir peligros relacionados con el polvo.

4. USO Y CUIDADO DE LA HERRAMIENTA

a) **No fuerce la herramienta. Emplee la herramienta correcta para la aplicación que desea.** La herramienta correcta hará el trabajo mejor y con más seguridad a la capacidad nominal para la que está diseñada.

b) **No utilice la herramienta si el interruptor no la enciende o apaga.** Toda herramienta que no se pueda controlar con el interruptor es peligrosa y debe ser reparada.

c) **Desconecte la batería de la herramienta o ponga el interruptor en la posición de trabado o de apagado antes de hacer cualquier ajuste, cambio de accesorios o guardar la herramienta.** Estas medidas de seguridad preventivas reducen el riesgo de encender la herramienta accidentalmente.

d) **Guarde las herramientas que no esté usando fuera del alcance de los niños y otras personas no capacitadas.** Las herramientas son peligrosas en las manos de los usuarios no capacitados.

e) **Mantenga las herramientas con cuidado. Compruebe la desalineación o el atasco de las piezas móviles, la ruptura de piezas y cualquier otra situación que pueda afectar el funcionamiento de las herramientas. Si la herramienta está dañada, hágala arreglar antes de usarla.** Muchos accidentes son causados por herramientas mantenidas deficientemente.

f) **Conserve las herramientas de corte afiladas y limpias.** Las herramientas mantenidas adecuadamente, con bordes de corte afilados, tienen menos probabilidades de atascarse y son más fáciles de controlar.

g) Utilice la herramienta eléctrica, accesorios, brocas de la herramienta, etc. de acuerdo con estas instrucciones y de la manera adecuada para el tipo de herramienta eléctrica, teniendo en cuenta las condiciones de trabajo y el trabajo que se realizará. La utilización de la herramienta eléctrica para operaciones diferentes de aquellas para las que se encuentra diseñada podría dar lugar a una situación peligrosa.

5. UTILIZACIÓN Y CUIDADO DE LA HERRAMIENTA ACCIONADA A BATERÍAS

- a) Una herramienta accionada a baterías que tenga baterías integradas o un paquete de baterías separado se debe recargar solamente con el cargador especificado para la batería.** Un cargador que puede ser adecuado para un tipo de batería puede crear un peligro de incendio cuando se usa con otra batería.
- b) Utilice la herramienta accionada a baterías solamente con el paquete de baterías designado específicamente.** El uso de cualquier otra batería puede crear un peligro de incendio.
- c) Cuando el paquete de baterías no se usa, manténgalo alejado de otros objetos metálicos como: sujetapapeles, monedas, clavos, tornillos u otros pequeños objetos de metal capaces de hacer una conexión entre los terminales.** El cortocircuito de los terminales de una batería puede causar chispas, quemaduras o incendio.
- d) Bajo condiciones abusivas, la batería puede expulsar líquido; evite el contacto. Si ocurre un contacto accidental, enjuagar con agua.** Si el líquido entra en contacto con los ojos, busque ayuda médica. El líquido expulsado por la batería puede causar irritación o quemaduras.

6. REPARACIÓN

- a) La herramienta debe ser reparada por una persona calificada de servicio**

técnico y se deben utilizar partes de reemplazo idénticas. Esto asegurará el mantenimiento de la seguridad de la herramienta eléctrica.





INSTRUCCIONES DE SEGURIDAD

- 1. Mantenga todas las partes de su cuerpo alejados de la cuchilla de corte. No remueva material cortado o sostener material a cortar cuando la cuchilla esté en movimiento. Asegúrese de que el interruptor esté en apagado cuando limpie el material trabado. Después de apagar la herramienta la cuchilla continúa girando libremente.** Un momento de falta de atención mientras está operando con la tijera cortasetos puede provocar serias lesiones personales.
- 2. Cargar la tijera cortasetos desde la manija teniendo la cuchilla de corte parada. Cuando esté transportando o guardando la tijera cortasetos, poner siempre la cubierta de la máquina de cortar.** El manejo apropiado de la tijera cortasetos reducirá posibles lesiones personales de la cuchilla de corte.
- 3. Sujete la herramienta eléctrica solamente por los mangos aislados, porque la cuchilla de corte puede tener contacto con alambres escondidos o con el propio cable.** Si la cuchilla de corte tiene contacto con un cable bajo tensión puede dejar expuesto partes metales de la herramienta eléctrica con tensión y puede causar un shock eléctrico al operador.
- 4. Mantenga las manos alejadas de la cuchilla.** El contacto con la cuchilla resultará serias lesiones personales.
- 5. Use dos manos para operar la tijera cortasetos, usando una sola mano puede causar pérdida de control y resultar serias lesiones personales.**
- 6. Solamente usar con mango y protección apropiadamente ensambladas a la tijera cortasetos.**

El uso de la tijera cortasetos sin la protección apropiada o mango puede resultar serias lesiones personales.










7. Revisar la tijera para objetos desconocidos, por ejemplo alambradas.

ADVERTENCIAS DE SEGURIDAD GENERAL PARA EL PAQUETE DE BATERÍA

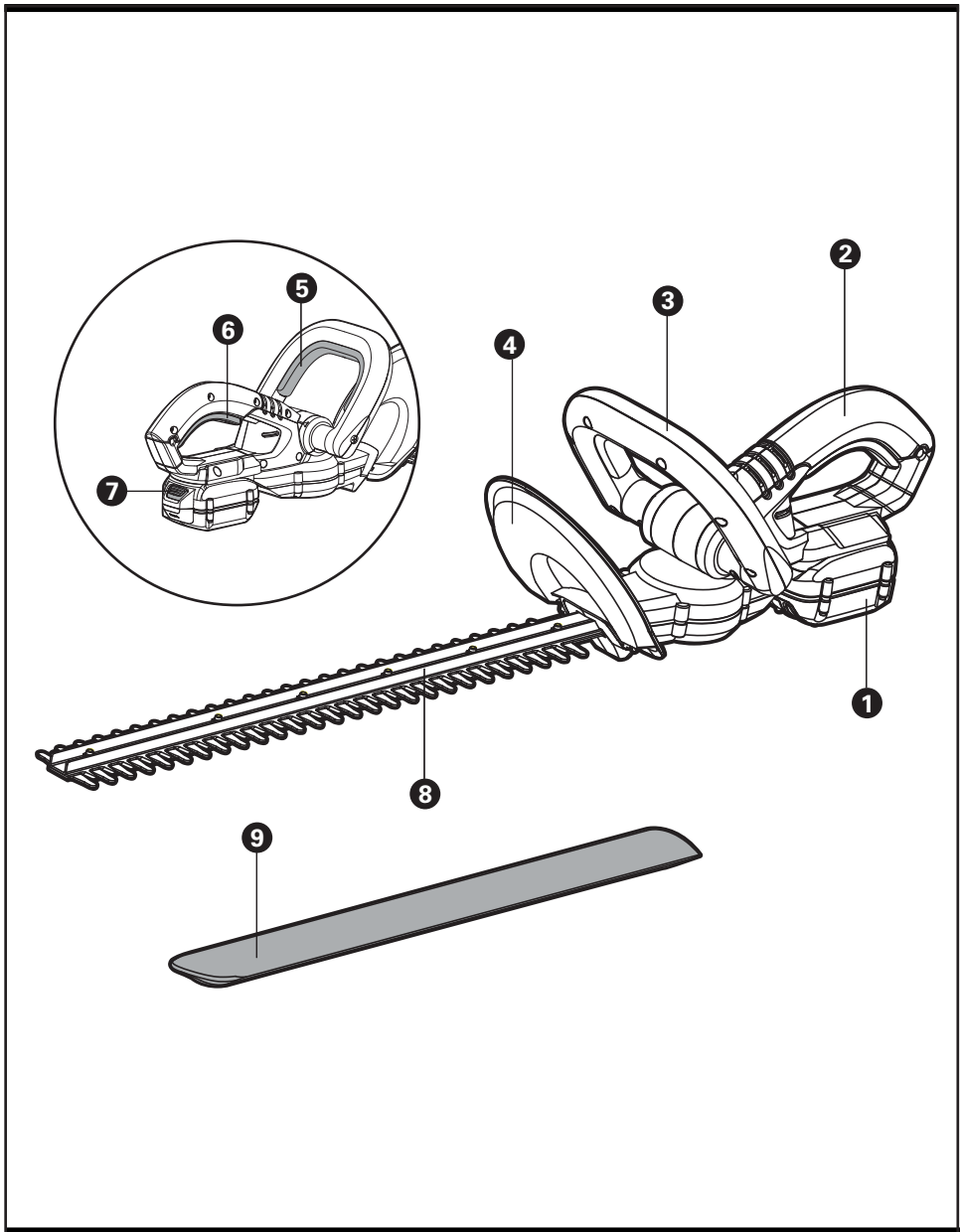
- 1)  **ADVERTENCIA:** Riesgo de incendio y quemaduras. No desarmar, calentar por encima de los 100°C (212°F), ni incinerar. No exponga las celdas o baterías al calor o fuego. Evite guardar a la luz directa del sol.
- 2) Deseche las baterías usadas de inmediato. Cuando deseche las celdas o baterías secundarias, mantenga las celdas o baterías de sistemas electroquímicos diferentes separadas entre sí.
- 3) Mantenga las baterías fuera del alcance de los niños y en el paquete original hasta que estén listas para usar.
- 4) Nunca se lleve las baterías a la boca. Si se tragan, contacte a su médico o al centro de control de envenenamiento local.
- 5)  **PRECAUCIÓN** – La batería usada en este dispositivo puede presentar riesgo de incendio o quemadura química si se manipula en forma incorrecta. Reemplace la batería con (WORX) solamente. El uso de otra batería puede presentar riesgo de incendio o explosión
- 6)  **ADVERTENCIA:** no use un paquete de batería o dispositivo visiblemente dañado según corresponda.
- 7)  **ADVERTENCIA:** no modifique ni intente reparar el dispositivo o batería según corresponda.
- 8) **LA BATERÍA DEBE RECICLARSE**
- 9) **Evite cortocircuitos de celda o batería. No guarde las celdas o baterías en forma peligrosa en una caja o cajón donde puedan hacer cortocircuito entre sí o con materiales conductivos.**
- 10) **No someta las celdas o baterías a descargas mecánicas.**
- 11) **Mantenga las celdas y baterías limpias y secas.** Limpie las terminales de batería o celda con un paño seco y limpio si se ensucian.
- 12) **No mantenga en carga las celdas y baterías secundarias cuando no estén en uso.**
- 13) **Conserve la información de la batería y celda originales para referencia futura.**
- 14) **No use cargadores que no sean los específicamente suministrados para uso con el equipo.** Las celdas y baterías secundarias se deben cargar antes del uso. Siempre use el cargador correcto y consulte las instrucciones del fabricante o el manual del equipo para saber las instrucciones correctas de carga.
- 15) Cuando sea posible quite la batería del equipo cuando no esté en uso.
- 16) Evite el encendido inadvertido. Asegúrese que el interruptor esté en la posición de apagado antes de conectar el paquete de batería, al levantar o transportar el aparato. Transportar el aparato con su dedo sobre el interruptor o energizar el aparato que tenga el interruptor encendido provoca accidentes.
- 17) Desconecte el paquete de batería del aparato antes de realizar cualquier ajuste, cambiar los accesorios, o guardar el aparato. Tales medidas preventivas de seguridad reducen el riesgo de encender el aparato por accidente.
- 18) Bajo condiciones de abuso, puede expulsarse líquido de la batería; evite el contacto. Si ocurre contacto accidentalmente, lave con agua. Si el líquido entra en contacto con los ojos, busque ayuda médica adicional. El líquido expulsado de la batería puede causar irritación o quemaduras.

- 19) Pida que una persona de reparación calificada dé servicio usando únicamente partes de reemplazo idénticas. Esto garantizará que se mantenga la seguridad del producto.

SÍMBOLOS

	Para reducir el riesgo de lesiones, el usuario deberá leer el manual de instrucciones
	Use protección auditiva
	Use lentes de seguridad
	Use máscara contra el polvo
	Use siempre unos guantes de protección
	No exponer a la lluvia
	Mantenga manos y pies lejos del área de corte
	Extraiga el enchufe de la toma eléctrica antes de llevar a cabo cualquier reparación o ajuste.
 Li-Ion	Batería de iones de litio. Recolección por separado. La batería deberá reciclarse.

	<p>call2recycle®</p> <p>POSITEC Inc. ha establecido una asociación con la empresa RBRC para el reciclaje de todas las baterías Positec que posean el sello RBRC-call2recycle. Para contribuir con la protección del medio ambiente, no deseche las baterías como residuos normales. Después de que haya finalizado el ciclo de vida útil de la batería, comuníquese al 1.800-822-8837 para acceder al servicio gratuito que realizará el desecho correcto de la batería.</p>
---	---



-
- 1. BLOQUE DE BATERÍAS***

 - 2. MANGO TRASERO**

 - 3. MANGO DELANTERO**

 - 4. GUARDA PROTECTORA DE SEGURIDAD**

 - 5. PALANCA DEL INTERRUPTOR DELANTERO (FUNCIÓN DE INTERRUPTOR VERSÁTIL)**

 - 6. PALANCA DEL INTERRUPTOR**

 - 7. PESTILLO PARA LA REMOCIÓN DEL BLOQUE DE BATERÍAS**

 - 8. CUCHILLA**

 - 9. FUNDA DE LA CUCHILLA**
-

***No todos los accesorios ilustrados o descritos están incluidos en la entrega estándar.**

DATOS TÉCNICOS

	WG255.1	WG255.9
Voltaje	20V \equiv Max**	
Espacio entre dientes	20pulg. (51cm)	
Diámetro de corte	9/16pulg. (14mm)	
Tiempo de carga	Aprox. 5hr	/
Peso de la máquina	5.3lbs (2.4kg)	4.2lbs (1.9kg)

	WG275	WG275.9	WG280	WG280.9
Voltaje	32V \equiv Max**		40V \equiv Max**	
Espacio entre dientes	20pulg. (51cm)			
Diámetro de corte	9/16pulg. (14mm)		3/4pulg. (19mm)	
Tiempo de carga	Aprox. 5hr	/	Aprox. 8 hr	/
Peso de la máquina	5.6lbs (2.5kg)	4.4lbs (2.0kg)	5.8lbs (2.6kg)	4.4lbs (2.0kg)

** Voltaje medido sin carga de trabajo. El voltaje inicial de la batería alcanza un máximo de 20 V. El voltaje nominal es 18 V.
 Voltaje medido sin carga de trabajo. El voltaje inicial de la batería alcanza un máximo de 32 V. El voltaje nominal es 28.8 V.
 Voltaje medido sin carga de trabajo. El voltaje inicial de la batería alcanza un máximo de 40 V. El voltaje nominal es 36 V.

ACCESORIOS

	WG255.1	WG255.9
Funda de la cuchilla	1	1
Guarda protectora de seguridad	1	1
Cargador	1(WA3742)	/
Baterías	1(WA3520)	/


	WG275	WG275.9	WG280	WG280.9
Funda de la cuchilla	1	1	1	1
Guarda protectora de seguridad	1	1	1	1
Cargador	1(WA3740)	/	1(WA3747)	/
Baterías	1(WA3537)	/	1(WA3580)	/

Sólo utilice los accesorios apropiados diseñados para esta herramienta. Puede encontrar información sobre los accesorios en el embalaje del producto, consultando a un distribuidor de WORX o en nuestro sitio Web: www.worx.com.

INSTRUCCIONES DE USO

 **¡ADVERTENCIA! NO UTILICE EL PRODUCTO SIN COLOCAR LA GUARDA PROTECTORA Y EL MANGO DELANTERO.**

ENSAMBLE & FUNCIONAMIENTO

ACCIÓN	FIGURA
ENSAMBLE	
Ensamble de manija frontal NOTA: Los tornillos de la manija deben ver al escudo de protección. Si la manija se ensambla incorrectamente, la herramienta no encenderá adecuadamente.	Vea la Fig. A1, A2
Instalación y desinstalación de paquete de batería	Vea la Fig. B1, B2
Revisar la condición de la batería (sólo para WG280) Su batería está DESCARGADA y debe cargarla antes de usarla.	Vea la Fig. C
Carga de la batería Se pueden encontrar más detalles en el manual del WA3732/WA3740/WA3742/WA3747	Vea la Fig. D
OPERACIÓN	
Corte superior  ADVERTENCIA: Si faltan piezas, o están dañadas o rotas, no utilice su cortasetos hasta que se hayan sustituido o reparado todas las piezas dañadas. La falta de acatamiento a esta regla podría dar lugar a daños corporales serios. NO TRABAJE SIN EL MANGO Y LA GUARDA PROTECTORA INSTALADOS.	Vea la Fig. E1

Corte lateral	Vea la Fig. E2, E3
Lubricación del aspa de corte	Vea la Fig. F

CÓMO UTILIZAR SU CORTASETOS

Deje que las cuchillas alcancen la velocidad máxima antes de cortar. Cuando maneje la máquina mantenga las cuchillas alejadas de las personas y de objetos tales como paredes, piedras grandes, árboles, vehículos, etc.

Si la cuchilla se atasca, apague inmediatamente la herramienta. Suelte las dos palancas de interruptor (5 y 6) antes de retirar material atascado de la cuchilla.

No intente cortar tallos demasiado gruesos para la cuchilla.

CORTE SUPERIOR

Emplee un movimiento de barrido amplio (Véase E1). Los mejores resultados se obtienen inclinando las cuchillas levemente hacia abajo y en la dirección del movimiento.

CORTE LATERAL

Cuando efectúe la poda de los laterales del seto, comience desde el suelo y corte hacia arriba (Véase E2), estrechando el interior del seto en la parte superior. Este tipo de corte dejará expuesta una mayor superficie del seto, dando por resultado un crecimiento más uniforme.

MANTENIMIENTO

Extraiga el enchufe de la toma eléctrica antes de llevar a cabo cualquier reparación o ajuste.

No posee piezas en su interior que puedan ser reparadas por el usuario. Nunca emplee agua o productos químicos para limpiar su herramienta. Use simplemente un paño seco. Guarde siempre su herramienta en un lugar seco. Mantenga limpias las ranuras de ventilación del motor. Mantenga todos los controles de operación libres de polvo.

WORX
it's your nature

www.worx.com

Copyright © 2017, Positec. All Rights Reserved.

Copyright © 2017, Positec. Tous droits réservés.

© Derechos reservados 2017, Positec. Todos los derechos reservados.